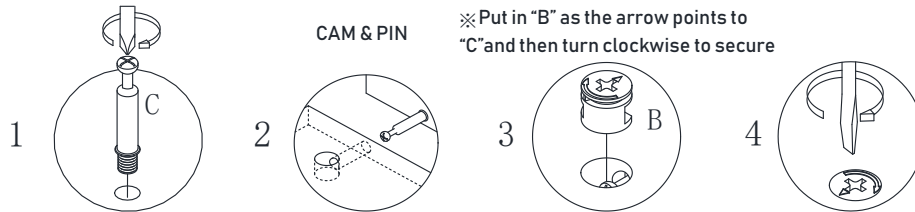
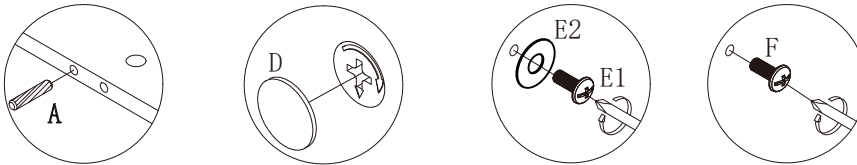


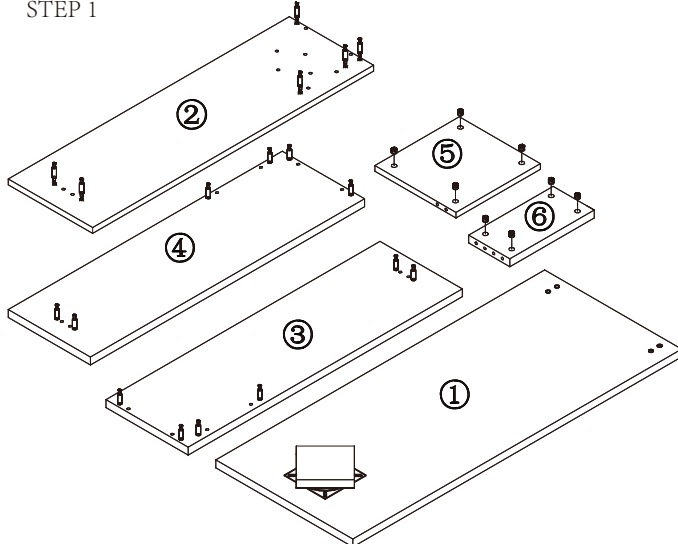
### Hardware assembly instruction



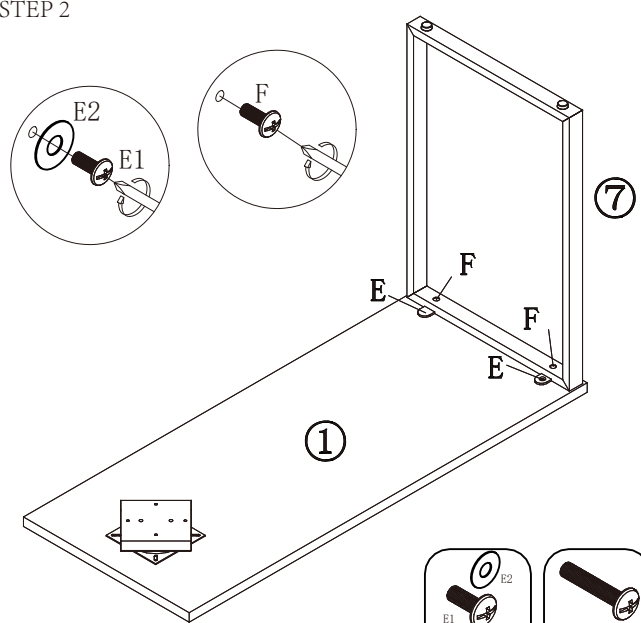
#### Dowel



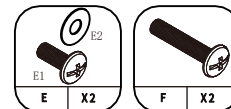
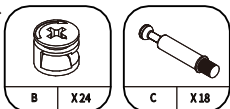
#### STEP 1



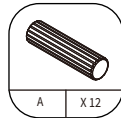
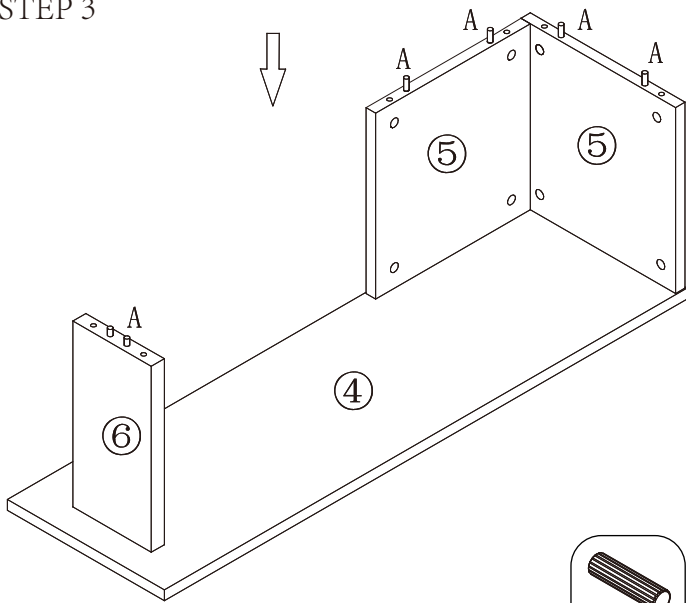
#### STEP 2



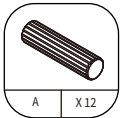
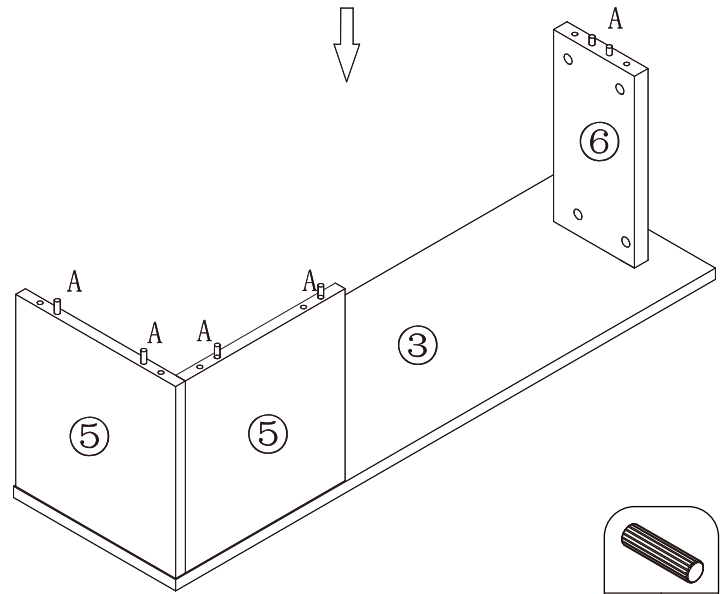
Attention: First of all, put a piece of carton or rug on the floor, and then begin to install the panels, so as to prevent the parts from scratch.



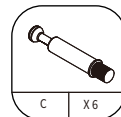
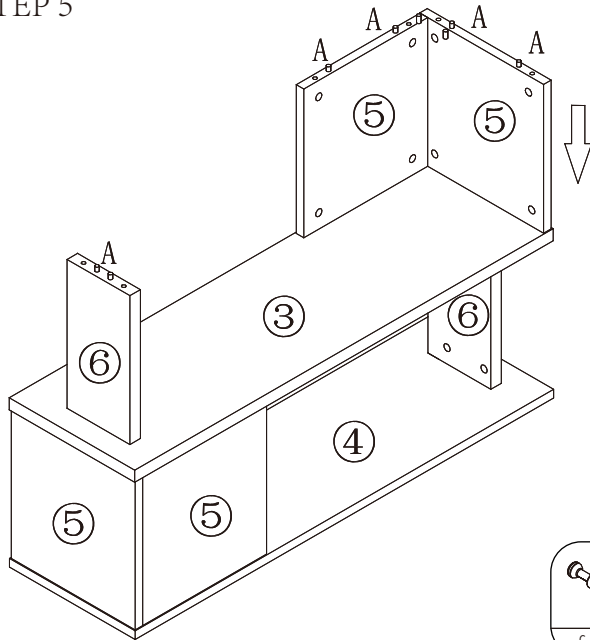
STEP 3



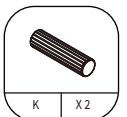
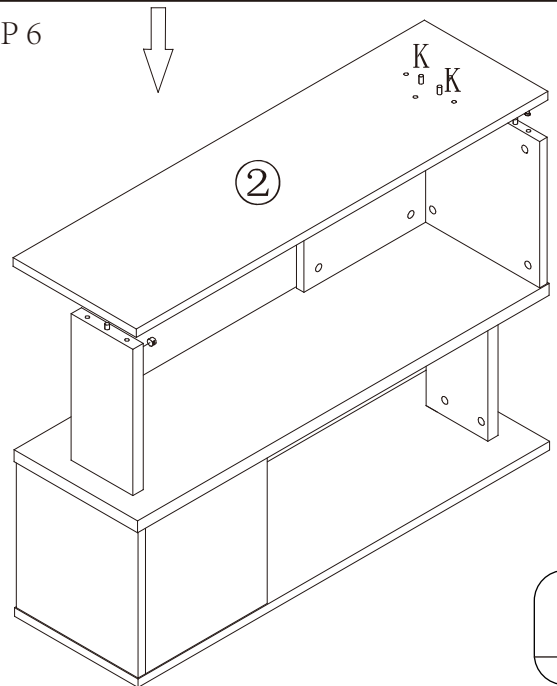
STEP 4



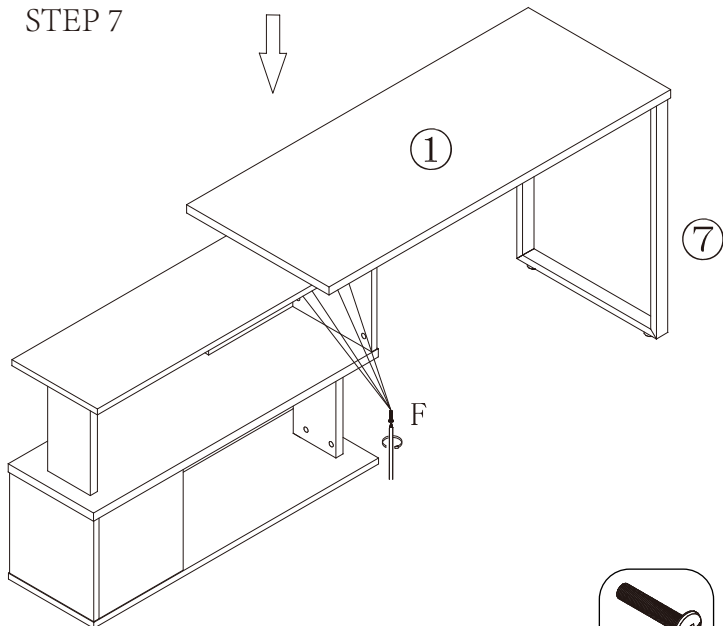
STEP 5



STEP 6



STEP 7



STEP 8

